

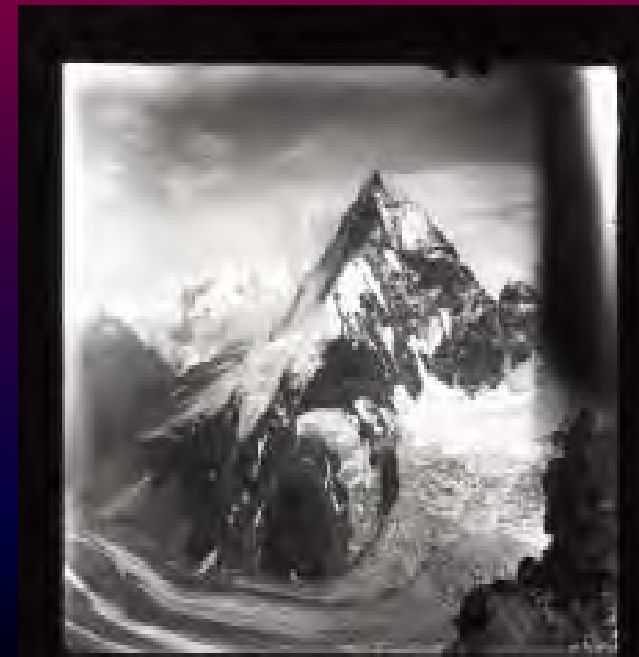
~~Best Practices in MNDOT~~  
What's wrong with your:  
~~thought process?~~

~~Eyes~~  
DOT

*Presented by:*  
Curt Pape

# Creating a culture that fosters innovation

- Everyone talks a good game
  - SMART goals and objectives
  - Research based, results oriented
  - Proactive practices
- What they really mean
  - Glacial rate of progress
  - Afraid to take any risks
  - Study the life out of new ideas



# How to really make a difference

- Think like a toddler
  - Keep ideas within arms reach
  - Constantly try new things
  - Keep a close eye on others
  - Learn from your mistakes
  - Try and try again
  - Celebrate successes
  - Don't dwell on failures

# Implementation issues

- Quit selling “tools”
- Develop training programs that explain:
  - What the new product or process is
  - How it will affect your organization
  - Why the decision to change was made
  - Processes or business practices that need to change so full benefits of new technology can be realized

# Keeping your organization young “positive”

- Always focus on improvement
  - Never ask “what don’t you like about this”
  - Constantly ask “what could we do to make this work better”
  - Provide easy access to people supporting the new technology
  - Focus on transferring knowledge to those at the grassroots level

# Best Practices

- What constitutes a “Best Practice”
  - Continually evolving methods, processes or equipment that increases your effectiveness and/or efficiency
- How to develop/select best practices
  - Go back to the “nursery”
  - Watch others and learn
  - Improve before, during and after you implement

# What is MNDOT doing?

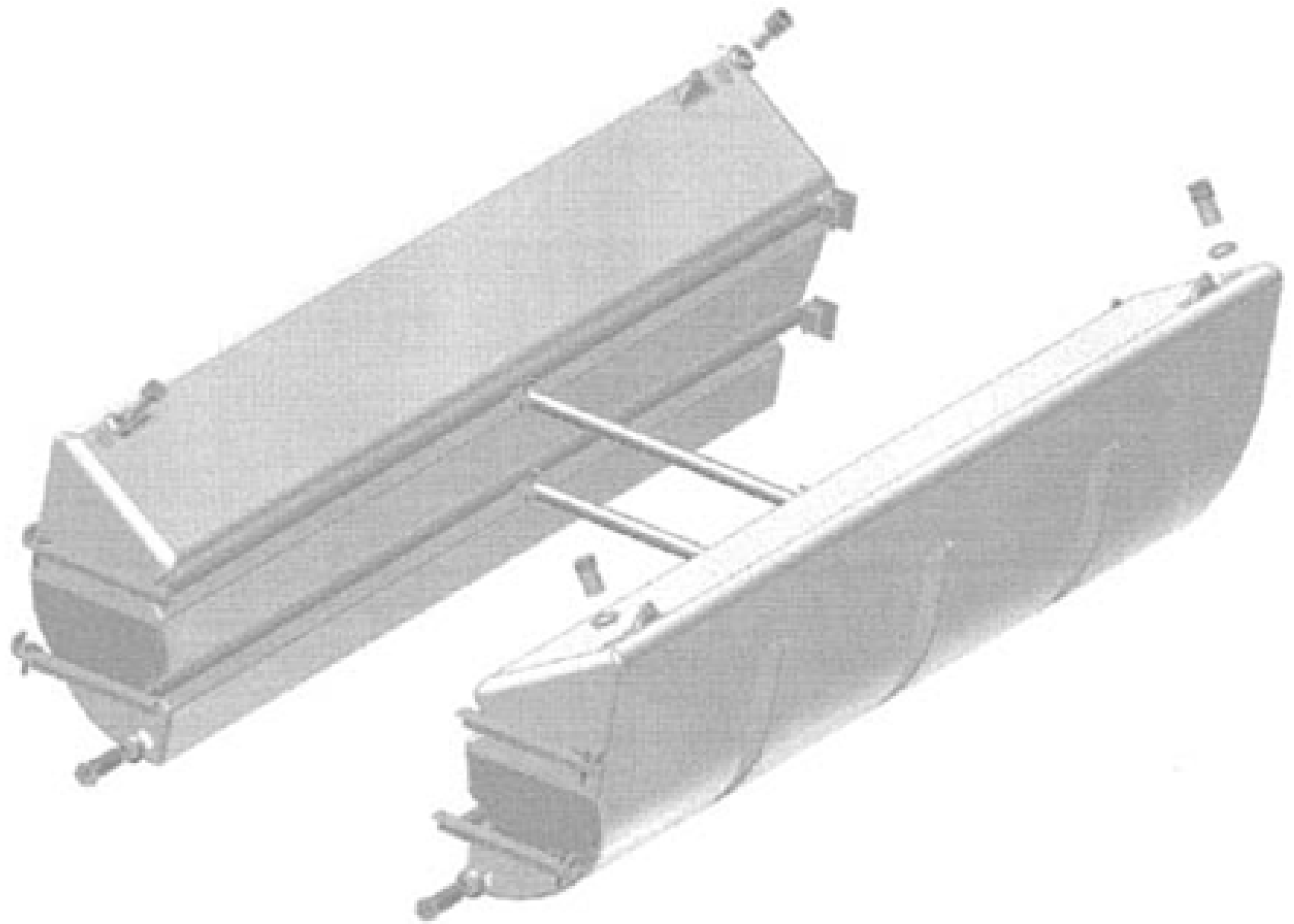
- Statewide deployment of MDSS & AVL
  - Using MDSS and mobile data to improve road condition reporting
  - Using MDSS and mobile data to improve material usage reporting
  - Using mobile data to transmit equipment data
    - Current hours/mileage, error codes, interface to diagnostic info
  - Using MDSS data to provide an objective winter resource index

# Recent MNDOT Research Implementation Efforts

- Adding capabilities to apply a 30% liquid / 70% granular slurry on snowplows and tow-plows
- Watching others to learn new ideas and improve current ones









Thanks for your time!!